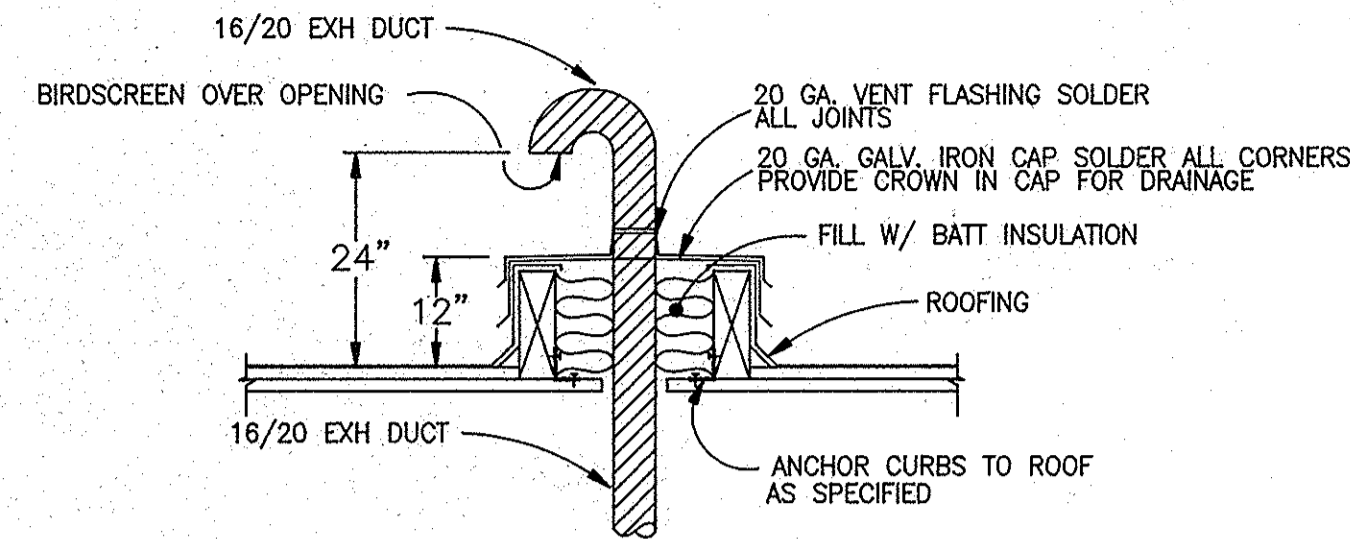
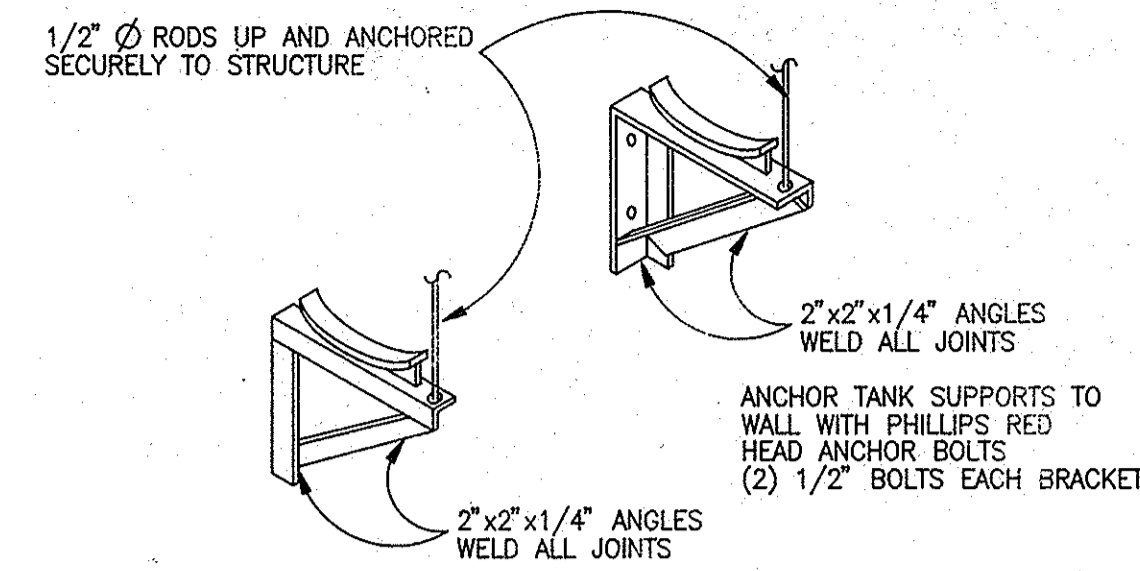


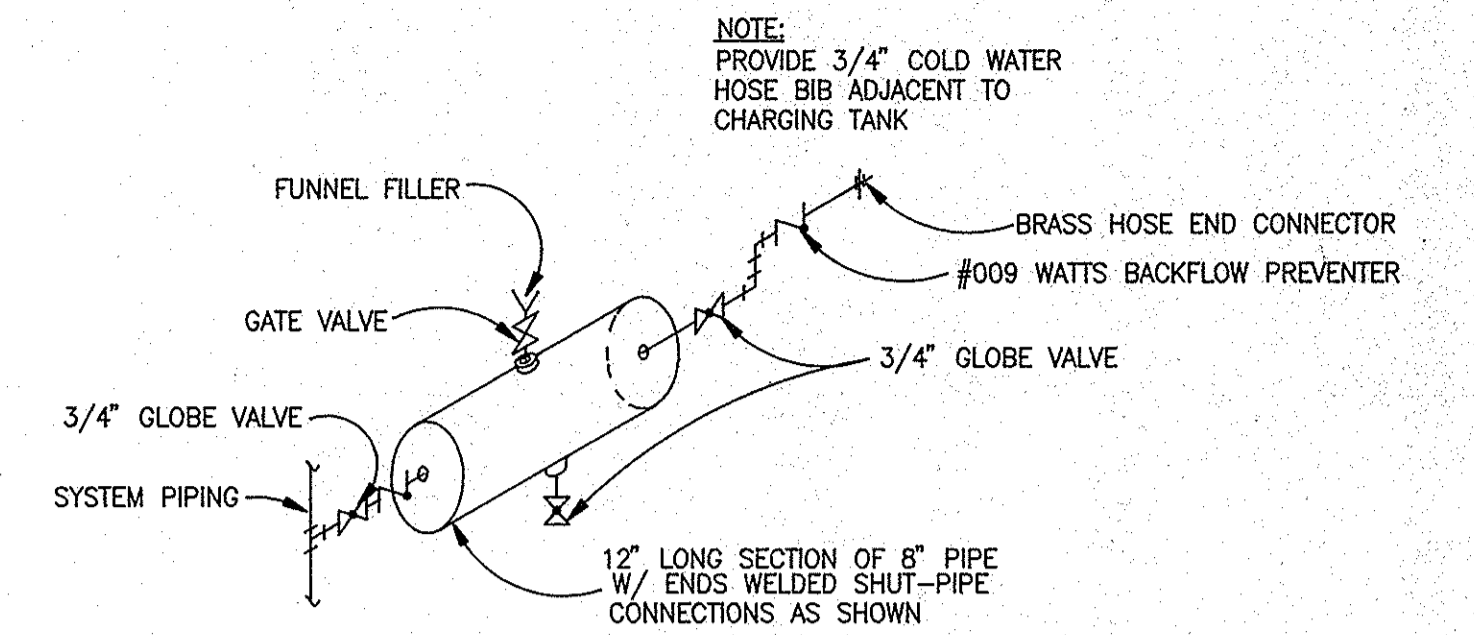
GAS TRAIN DETAIL
NO SCALE



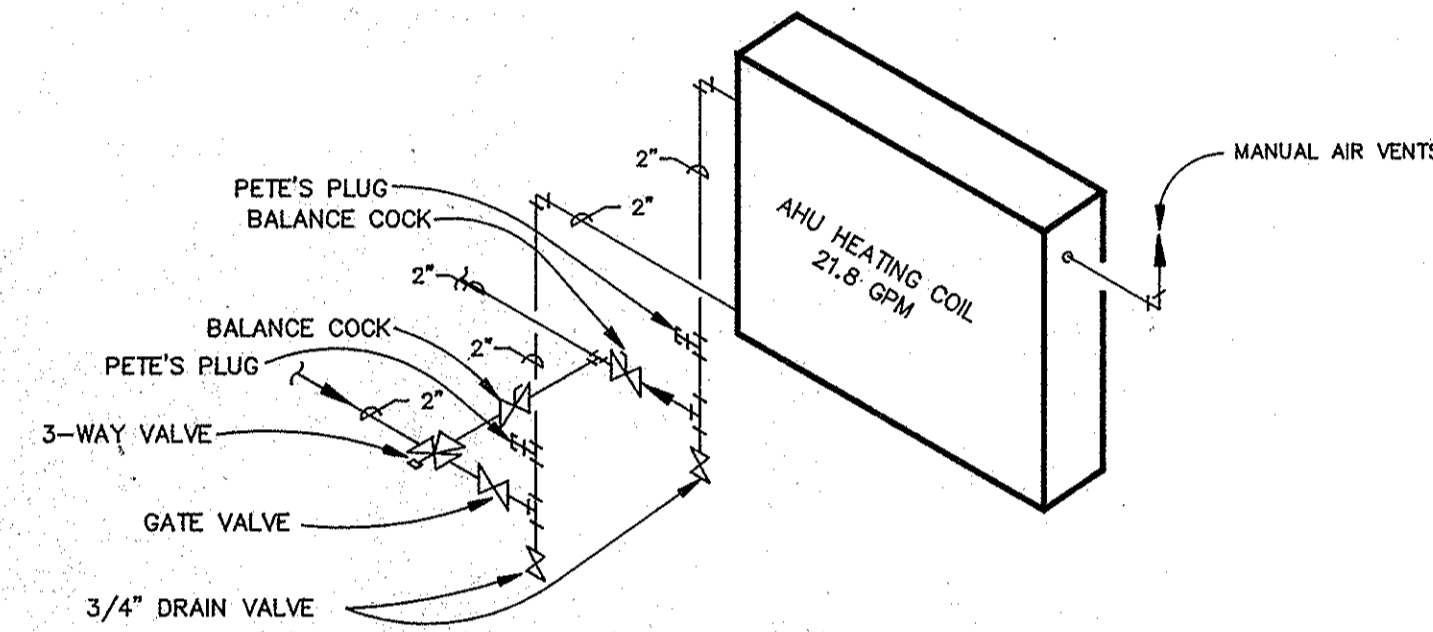
GOOSENECK DETAIL
NO SCALE



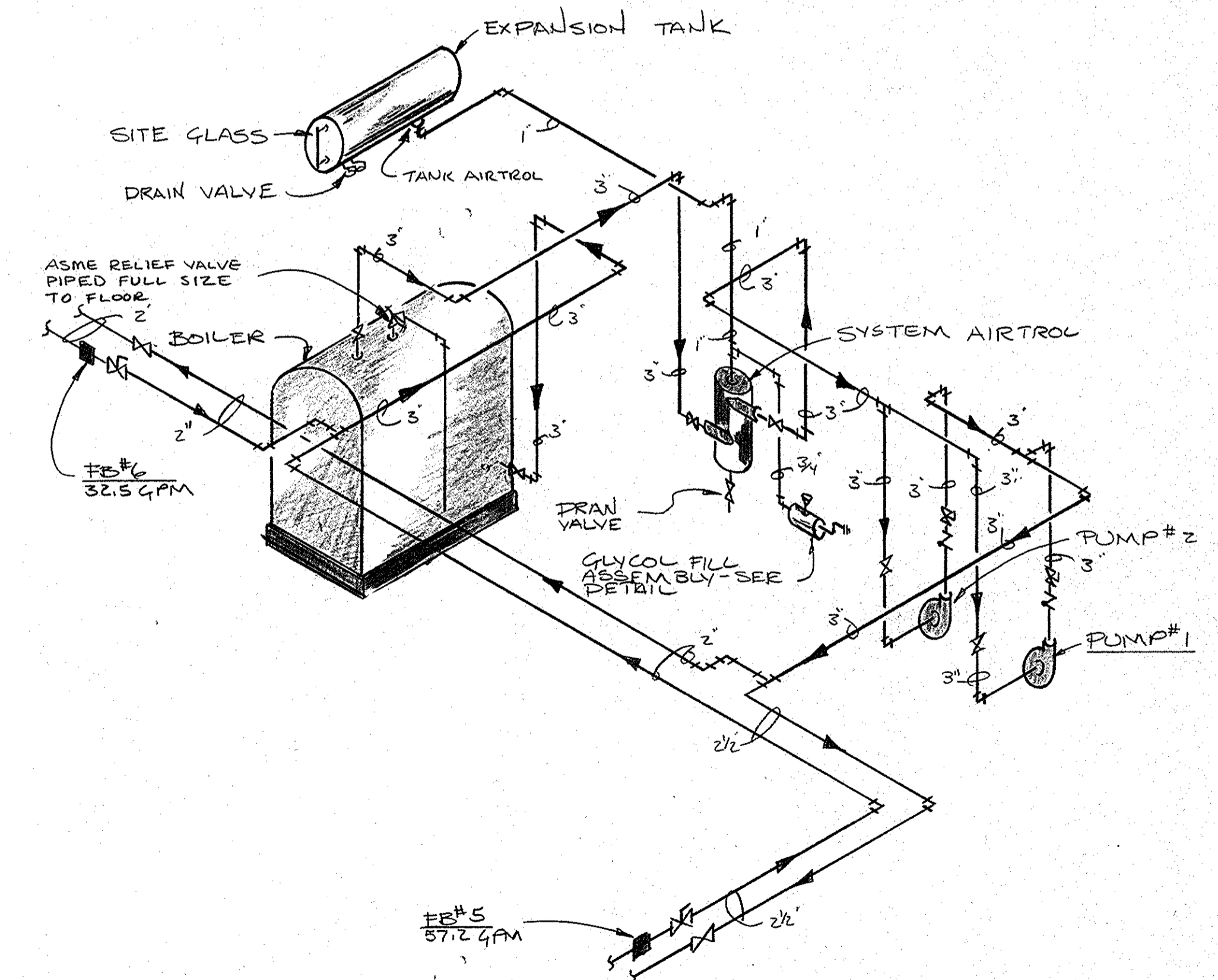
EXPANSION TANK SUPPORT DETAIL (FOR HTG. SYSTEM)
NO SCALE



GLYCOL CHARGING TANK DETAIL
NO SCALE



A.H.U.#2 HEATING COIL DETAIL
NO SCALE



BOILER PIPING SCHEMATIC
SCALE 1/8"=1'-0"