

AIR - HANDLING UNIT SCHEDULE

UNIT NO.	MANUFACTURER AND MODEL NO.	SERVES	CFM	STATIC PRESSURE		HOT WATER HEATING COIL DATA										DX COOLING COIL DATA										MOTOR HP	POWER	FAN RPM	REMARKS		
				EXT.	TOTAL	TYPE	GPM	P.D.	ROWS	FINS/INCH	FACE AREA	FACE VELOCITY	EWT	LWT	EAT	LAT	TOTAL CAPACITY	TYPE	ROWS	FINS/INCH	FACE AREA	FACE VELOCITY	EADB	EAWB	LADB					LAWB	SUCT. TEMP.
AHU#3	McQUAY LSL-108	OFFICES	3700	1.09	2.00	-	-	-	-	-	-	-	-	-	-	-	-	-	-	-	-	-	-	-	-	-	-	2	208/3	2009	14 9/16" AF FAN
AHU#4	McQUAY LYF-103	CLASSROOMS	1000	1.32	1.57	-	-	-	-	-	-	-	-	-	-	-	-	-	-	-	-	-	-	-	-	-	1/2	120/1	1450	9" FC FAN-VENT ONLY	

ROOF MOUNTED AIR - HANDLING UNIT SCHEDULE

UNIT NO.	MANUFACTURER AND MODEL NO.	SERVES	CFM	STATIC PRESSURE		HOT WATER HEATING COIL DATA										DX COOLING COIL DATA										MOTOR HP	POWER	FAN RPM	REMARKS			
				EXT.	TOTAL	TYPE	GPM	P.D.	ROWS	FINS/INCH	FACE AREA	FACE VELOCITY	EWT	LWT	EAT	LAT	TOTAL CAPACITY	TYPE	ROWS	FINS/INCH	FACE AREA	FACE VELOCITY	EADB	EAWB	LADB					LAWB	SUCT. TEMP.	TOTAL CAPACITY
RNAHU#1	McQUAY RDS-708B-L	NAVE	4800	1.01	2.67	-	-	-	-	-	-	-	-	-	-	-	-	-	-	-	-	-	-	-	-	-	5	208/3	1124	15"x15" FC FAN		
RNAHU#2	McQUAY RDS-708B-L	MULTI-PURP.	5000	0.62	3.63	4WH	21.8	2.7	1	11	10.00	500	190	170	45	85	208412	SEN	10	12	10.0	500	82.3	67.4	50.0	49.2	45	184,612	7 1/2	208/3	1315	15"x15" FC FAN

RMAC SCHEDULE

UNIT NO.	MANUFACTURER AND MODEL NO.	CFM	EXT. S.P.	DX COOLING CAPACITY	UNIT KW INPUT	EVAP. FAN MOTOR HP	COND. PAN MOTOR HP	POWER	REMARKS
RMAC#1	LENNOX CHA16H-261	1200	0.44	23,200	2.65	1/3	1/6	208/1	w/REMD16M-41 ; RMF16-31
RMAC#2	LENNOX CHA16-411	1475	0.64	34,000	3.91	1/3	1/6	208/3	w/RMF 16-41 ; EMDH16M ; GEDH16-65

RADIATION SCHEDULE

TYPE	MANUFACTURER AND MODEL NO.	MBH/FT.	AVG. WATER TEMP	FIN SIZE	TUBE SIZE	COVER DIMENSIONS		FIN/FT.	ROWS	REMARKS
						HEIGHT	WIDTH			
A	VULCAN DS SLOPE TOP	1.01	180	3 1/4"x3 1/4"	1 1/4"	12"	4 1/4"	48	1	
A ₁	VULCAN DS SLOPE TOP	1.01	180	3 1/4"x3 1/4"	1 1/4"	12"	4 1/4"	48	1	INVERTED 6" BELOW CEILING
B	VULCAN DS SLOPE TOP	1.3	180	4 1/4"x4 1/4"	1 1/4"	12"	5 5/16"	48	1	
F	VULCAN DS SLOPE TOP	1.01	180	3 1/4"x3 1/4"	1 1/4"	-	-	48	1	BARE ELEMENT

PUMP SCHEDULE

UNIT NO.	MANUFACTURER AND MODEL NO.	GPM	HEAD FT.	HP.	RPM	POWER	REMARKS
P#1	B&G SERIES 1510-2BC	90	68	5	1750	208/3	HWH PRIMARY
P#2	B&G SERIES 1510-2BC	90	68	5	1750	208/3	HWH STANDBY (ALTERNATE)
P#3	B&G SERIES 100	6	8	1/12	1750	120/1	DOMESTIC HOT WATER RECIRC. ALL BRONZE

CABINET UNIT HEATER SCHEDULE

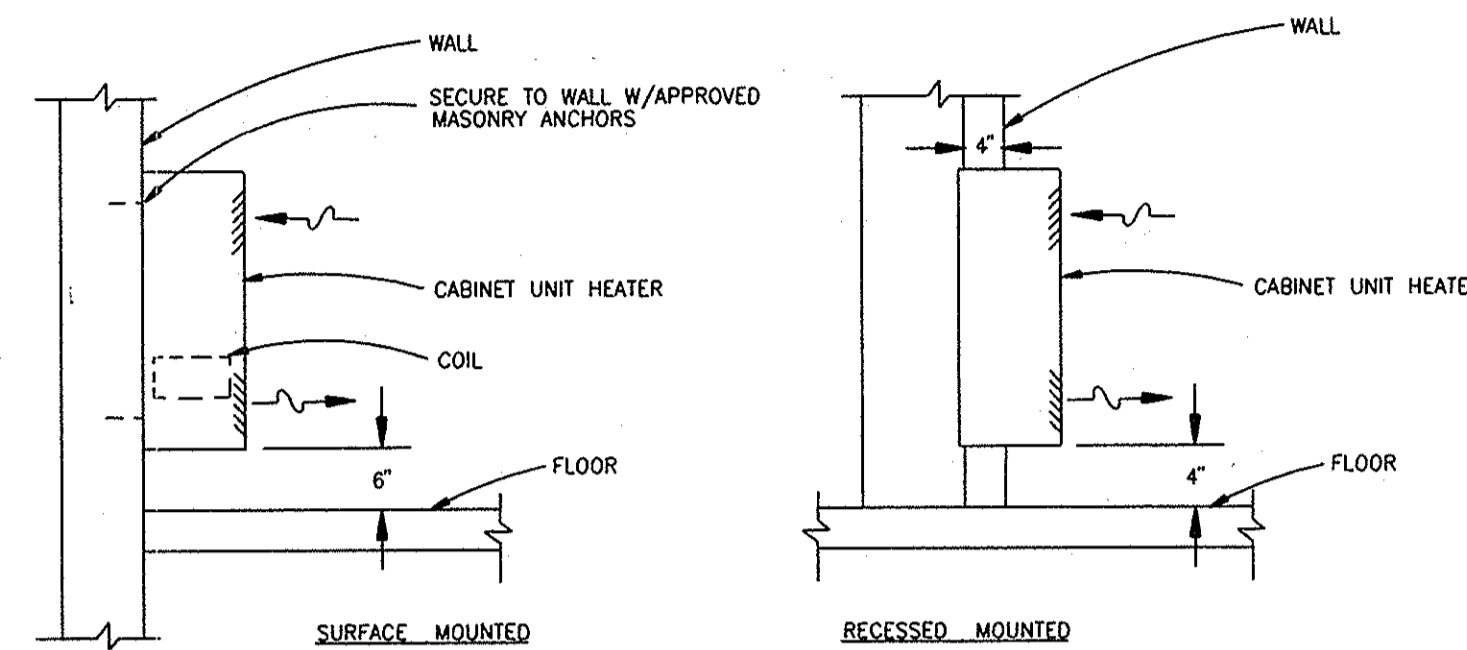
UNIT NO.	MANUFACTURER AND MODEL NO.	SERVES	MBH	RPM	CFM	FIN. TEMP.	GPM	ΔT.	P.D.	RECESS SIZE			POWER	REMARKS
										D	L	H		
CUH#1	VULCAN W-1110-02	EXIST. BSMT.	17.4	1050	230	130	2.0	20	0.24	-	-	-	120/1	
CUH#2	VULCAN W-1110-02	EXIST. BSMT.	17.4	1050	230	130	2.0	20	0.24	-	-	-	120/1	
CUH#3	VULCAN RW-1130-04		101	30.9	1050	430	126	4.0	20	1.00	9	47	25	120/1
CUH#4	VULCAN RW-1130-03		117	23.5	1050	335	125	2.5	20	0.39	4	43	25	120/1
CUH#5	VULCAN RW-1130-03		127	23.5	1050	335	125	2.5	20	0.39	4	43	25	120/1

AIR COOLED CONDENSING UNIT SCHEDULE

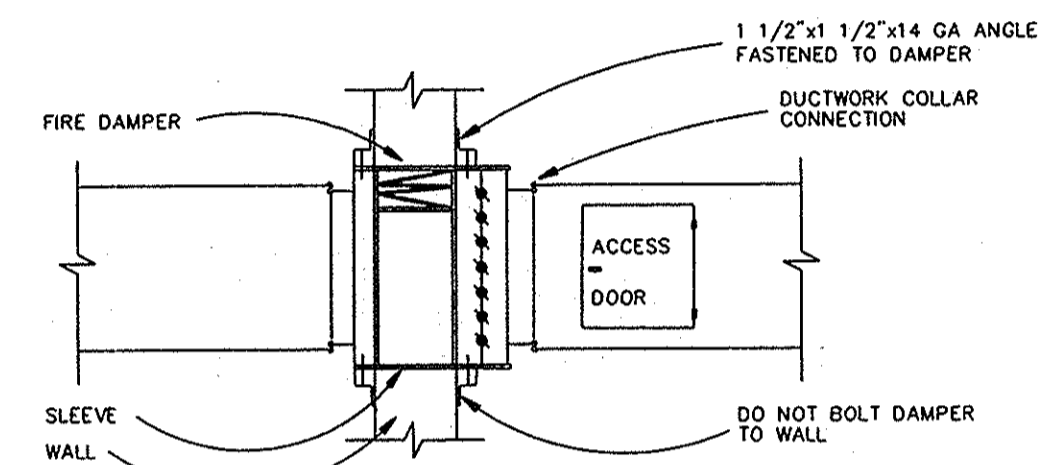
UNIT NO.	MANUFACTURER AND MODEL NO.	SERVES	MATCHED COOLING CAPACITY	KW INPUT	POWER	SUCTION LINE OD	LIQUID LINE OD	REMARKS
ACCU#1	McQUAY ALP-013C	AHU#1	136,800	13.1	208/3	1 3/8	5/8	PROVIDE 0-50-100 STAGING
ACCU#2	McQUAY ALP-015C	AHU#2	184,612	19.1	208/3	1 5/8	7/8	PROVIDE 0-50-100 STAGING
ACCU#3	McQUAY AD060	AHU#3	60,000	6.0	208/3	7/8	3/8	

FLOW BALANCER SCHEDULE

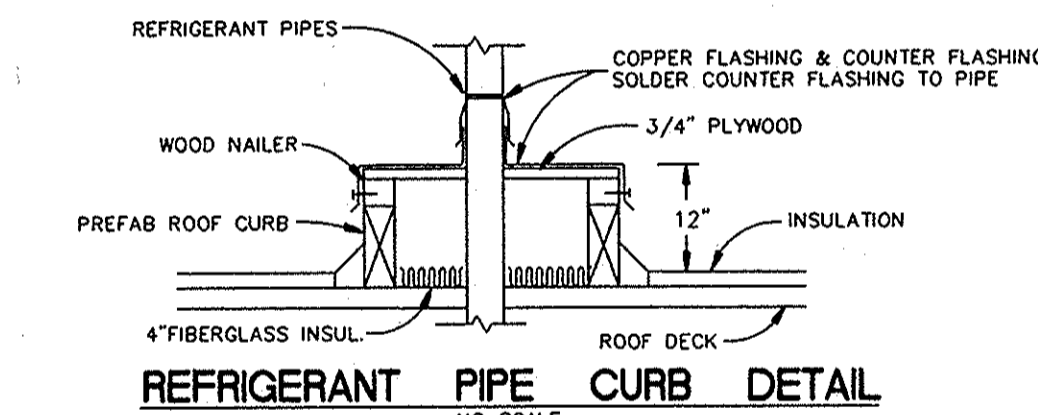
BALANCER NO.	BARCO SIZE	GPM	PRESSURE DROP (FT)	SERVES	LOCATION
FB#1	1 1/4"-374	8.30	0.33	WEST EXIST. BSMT.	EXISTING BSMT.
FB#2	1"-448	6.30	0.27	EAST EXIST. BSMT.	EXISTING BSMT.
FB#3	2"-483	37.0	0.42	SOUTH MAIN HWH	EXISTING TUNNEL
FB#4	1"-448	5.6	0.22	NORTH NAVE BRANCH HWH	EXISTING TUNNEL
FB#5	2 1/2"-607	57.2	0.22	SOUTH HTG. MAIN	RM#118
FB#6	2"-483	32.5	0.33	NEW NORTH MAIN HWH	RM#118
FB#7	2"-393	21.8	0.39	RNAHU#2	RM#121
FB#8	3/4"-390	2.7	0.27	SOUTHWEST BRANCH	RM#103
FB#9	3/4"-390	2.9	0.30	EXISTING BALCONY BRANCH	RM#103



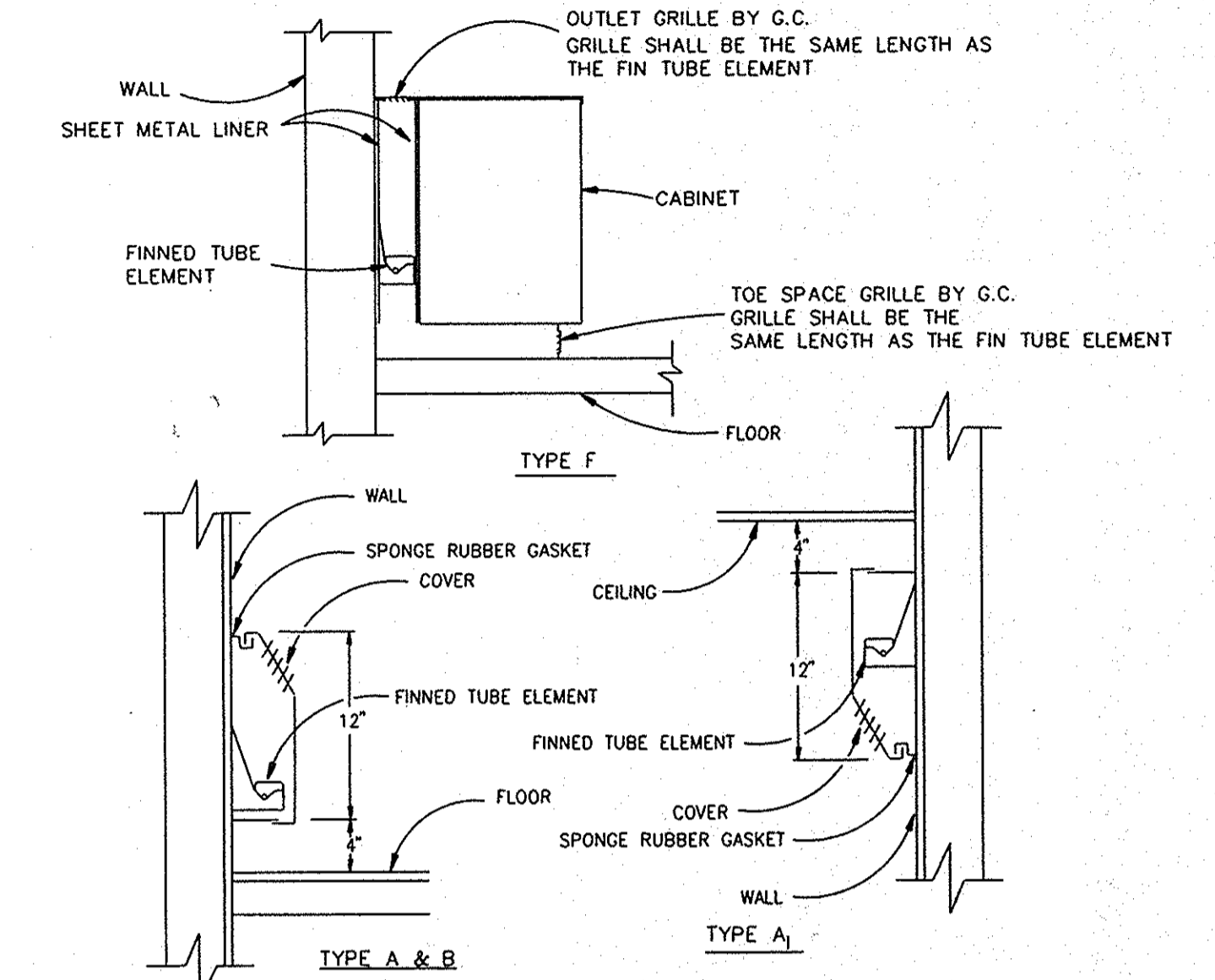
C.U.H. MOUNTING DETAIL
NO SCALE



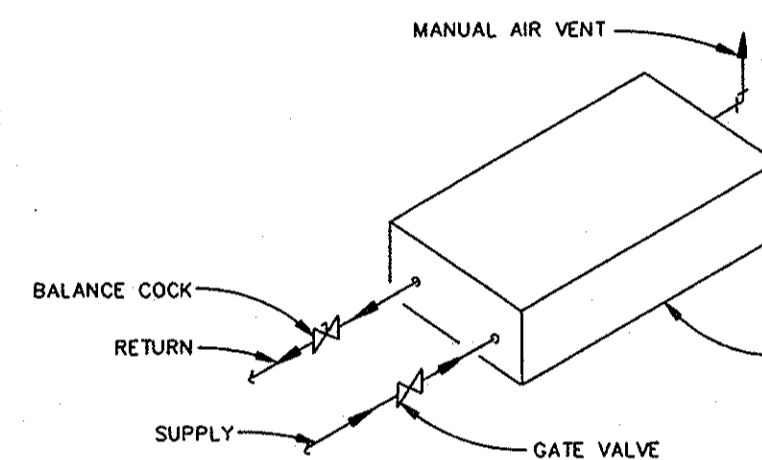
SMOKE AND FIRE DAMPER DETAIL
NO SCALE



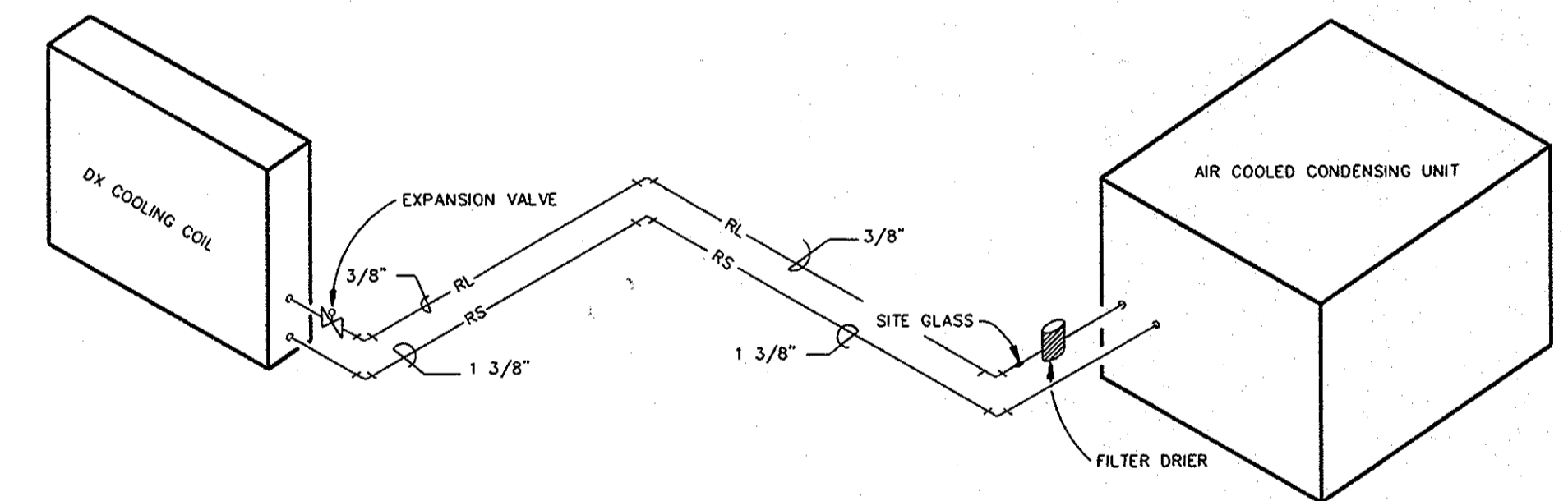
REFRIGERANT PIPE CURB DETAIL
NO SCALE



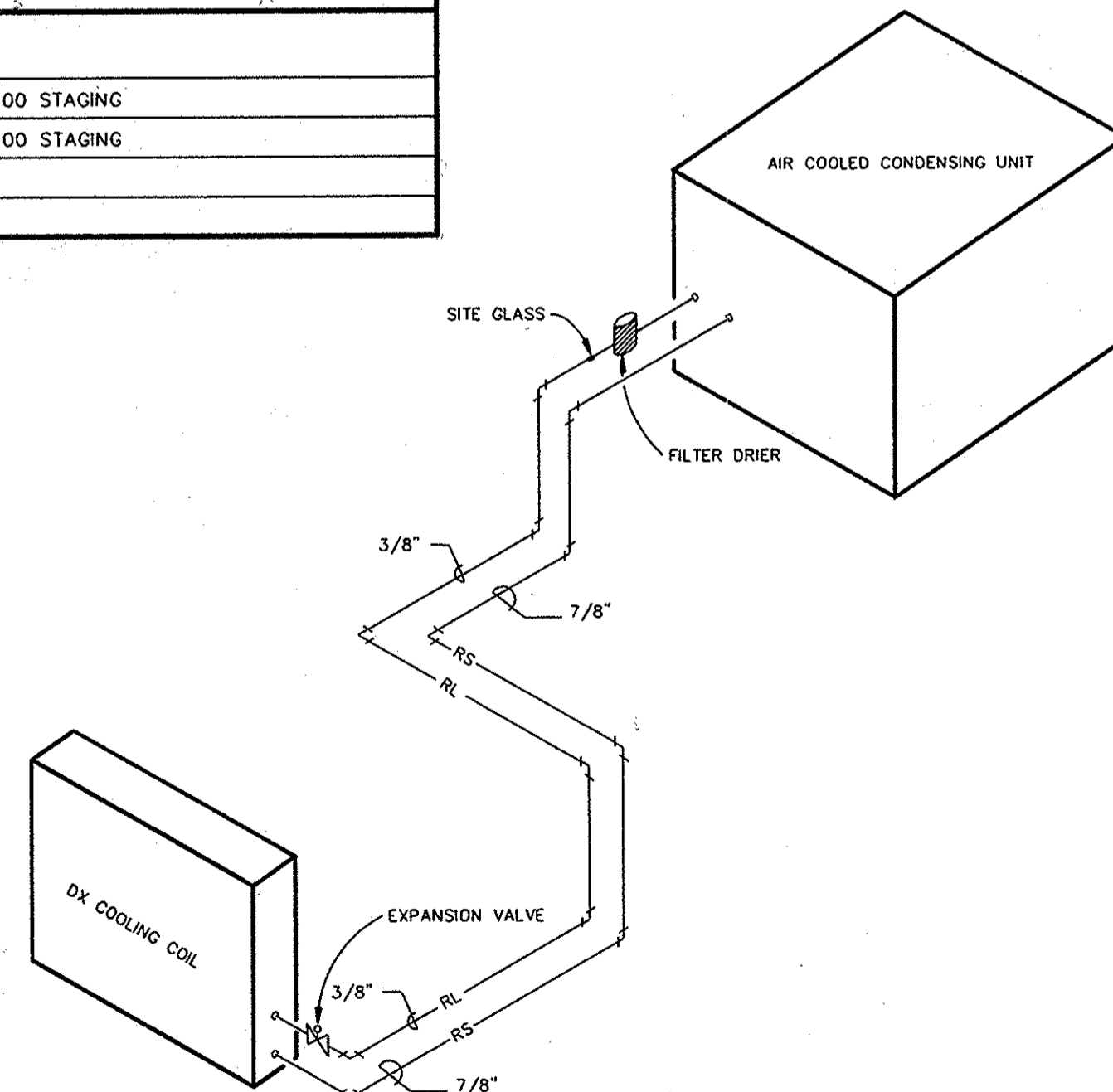
RADIATION MOUNTING DETAIL
NO SCALE



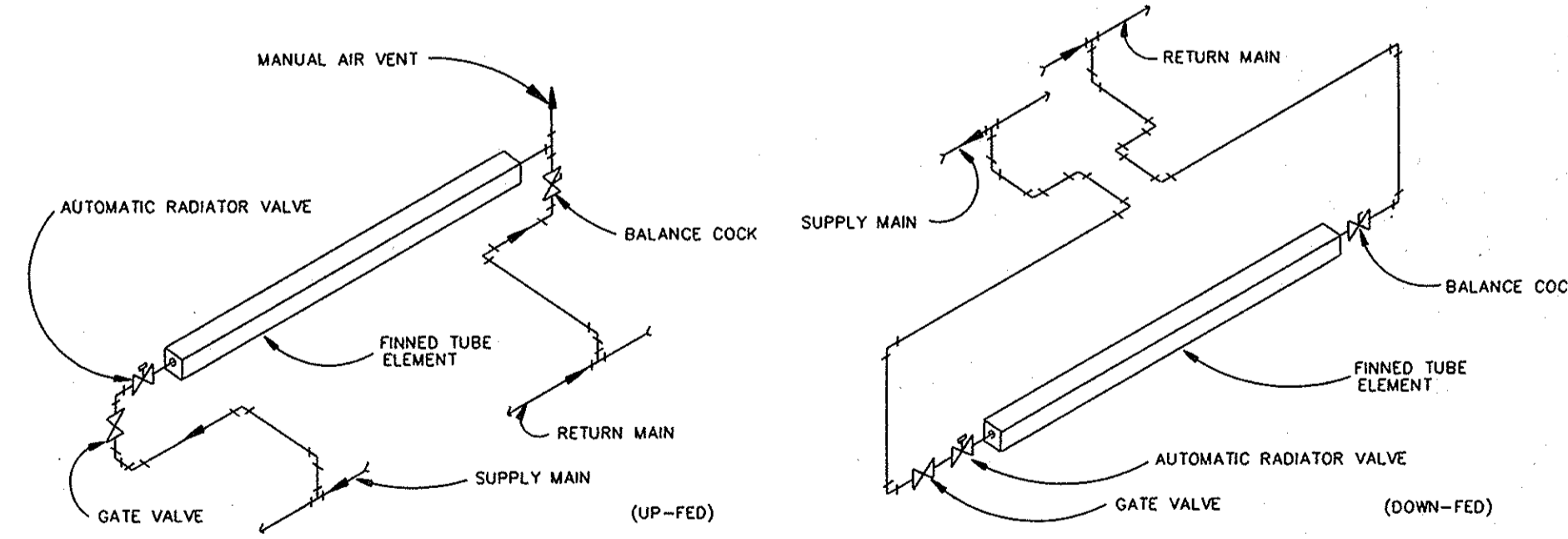
C.U.H. PIPING SCHEMATIC
NO SCALE



ACCU#1 + ACCU#2 REFRIGERANT PIPING SCHEMATIC
NO SCALE



ACCU#3 REFRIGERANT PIPING SCHEMATIC
NO SCALE



RADIATION PIPING SCHEMATIC
NO SCALE

ROBY, QUINTAL & EVERSON
CONSULTING ENGINEERS
MITCHELL, SOUTH DAKOTA

hkg
ARCHITECTS

REVISED DATE: 7/29/94
CLASSROOM/MULTI-PURPOSE ADD.
ZION LUTHERAN CHURCH
ABERDEEN, SOUTH DAKOTA
SCHEDULES / DETAILS
Herges, Kirchgasser, Geisler & Assoc. Aberdeen, S.D.

DRAWN BY: TL
TRACED BY: TL
CHECKED BY: RL/RAQ
DATE: OF: 8
M-7
DWG. NO.